

Parker 271 Air Brake Hose and 25 Series Crimp Fittings



Parker's new, all brass permanent 25 series fittings can be crimped in any of the Parkrimp crimpers and, when combined with the 271 air brake hose, meet or exceed SAE J1402 Type A and DOT FMVSS 106 specifications.

All 25 series brass fittings provide superior corrosion resistance for a long service life. Available configurations include; male NPTF (01), female SAE 45° (08) and the popular adapter-style swivel (7B) allowing you to meet all of your customers needs.

anything **Parker**
Possible.™

271 Transportation Hose

Meets or exceeds SAE J1402 Type A and D.O.T. FMVSS 106

Construction

Inner tube: Synthetic rubber

Reinforcement: One or more layers of fiber braid

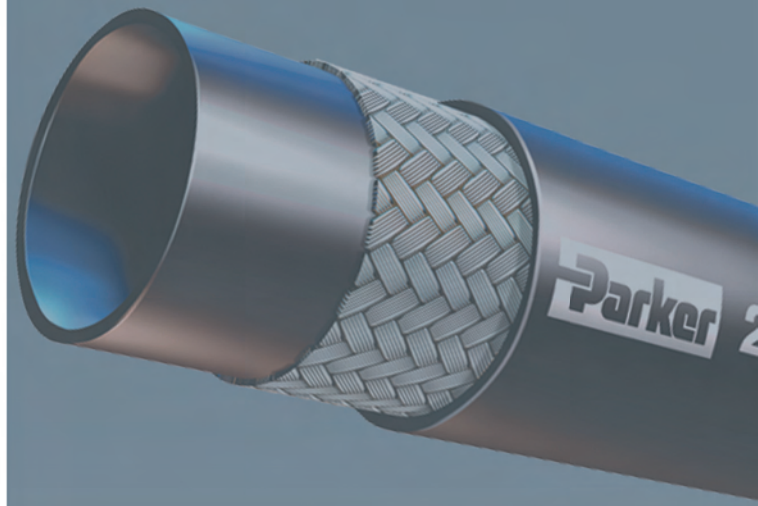
Cover: Synthetic rubber

Applications

Air brake systems including tractor to trailer lines, axel chamber lines and tractor service lines

Temperature

-50°F to +212°F (-46°C to +100°C)

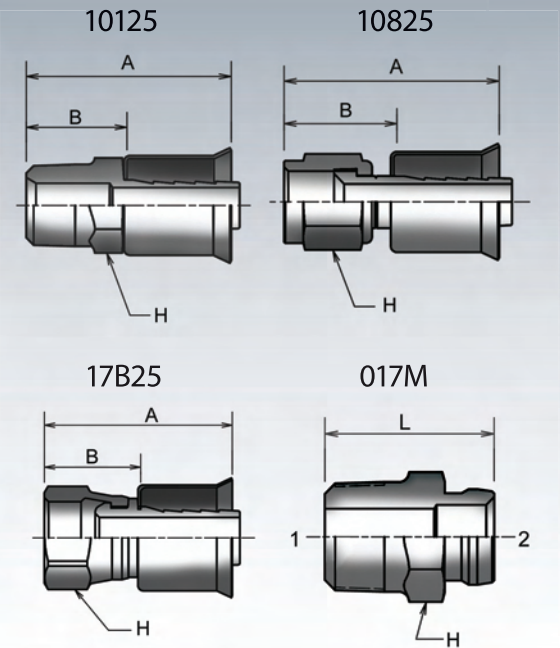


# Part Number	Hose I.D. inch mm		Hose O.D. inch mm		Working Pressure psi MPa		Bend Radius inch mm		Weight lbs/ft kg/m	
271-6	3/8	10	0.75	19	225	1,6	1-3/4	45	0.20	0,30
271-8	1/2	12,5	0.88	22	225	1,6	2	50	0.26	0,39

25 Series Fittings

# Part Number	Thread inch	Hose I.D. inch		A inch	mm	H inch	B inch	mm
10125-6-6B-VS	3/8x18	3/8	-6	1.72	44	11/16	1.00	25
10125-6-8B-VS	3/8x18	1/2	-8	1.72	44	11/16	1.00	25
10125-8-6B-VS	1/2x14	3/8	-6	2.05	52	7/8	1.33	34
10125-8-8B-VS	1/2x14	1/2	-8	2.05	52	7/8	1.33	34
10825-6-6B	5/8x18	3/8	-6	1.82	46	3/4	1.10	28
10825-8-6B	3/4x16	3/8	-6	1.80	46	7/8	1.08	27
10825-8-8B	3/4x16	1/2	-8	1.95	50	7/8	1.22	31
17B25-8-8B	3/4x20	1/2	-8	1.59	40	7/8	0.87	22
17B25-8-6B	3/4x20	3/8	-6	1.59	40	7/8	0.87	22

# Part Number	Thread End 1 NPTF inch		Thread End 2 UNEF inch		L inch mm		H inch
017M-6-8B	6	3/8x18	8	3/4x20	1.13	29	3/4
017M-8-8B	8	1/2x14	8	3/4x20	1.33	34	7/8



See Catalog 4400 or www.parkerhose.com
Visit www.parkerhose.com to view **CrimpSource**[®], the online resource for hose crimp specifications for the complete line of Parker crimping machines.

Distributed By:

⚠ WARNING

Failure or improper selection or improper use of hose, tubing, fittings, assemblies or related accessories ("Products") can cause death, personal injury and property damage. Possible consequences of failure or improper selection or improper use of these Products include but are not limited to:

- Fittings thrown off at high speed
- High velocity fluid discharge
- Explosion or burning of the conveyed fluid
- Electrocutation from high voltage electric power lines
- Contact with suddenly moving or falling objects that are controlled by the conveyed fluid
- Injections by high-pressure fluid discharge
- Dangerously whipping Hose
- Contact with conveyed fluids that may be hot, cold, toxic or otherwise injurious
- Sparking or explosion caused by static electricity buildup or other sources of electricity
- Sparking or explosion while spraying paint or flammable liquids
- Injuries resulting from inhalation, ingestion or exposure to fluids

Before selecting or using any of these Products, it is important that you read and follow Parker Safety Guide for Selecting and Using Hose, Tubing, Fittings and Related Accessories (Parker Publication No. 4400-B-1- Revised May, 2002). Only Hose from Parker's Stratoflex Products Division is approved for in flight aerospace applications, and no other Hose can be used for such in flight applications.

Parker Hannifin Corporation

Hose Products Division – U.S.

30240 Lakeland Blvd.

Wickliffe, Ohio 44092

Phone: (440) 943-5700 Fax: (440) 943-3129 www.parkerhose.com

Bulletin 4480-B121-US 5000 4/06 ©2006 Parker Hannifin Corporation

anything 
Possible.™